

VAKUUM SERVIS

SNIFFING SET - ASM 306S & He CHARGER He-iT



He CHARGER He-iT - Smart and Easy Solution for He Sniffing Automatic Helium charging and discharging of the part / ASM monitoring.

Unit from the outside



Back side :

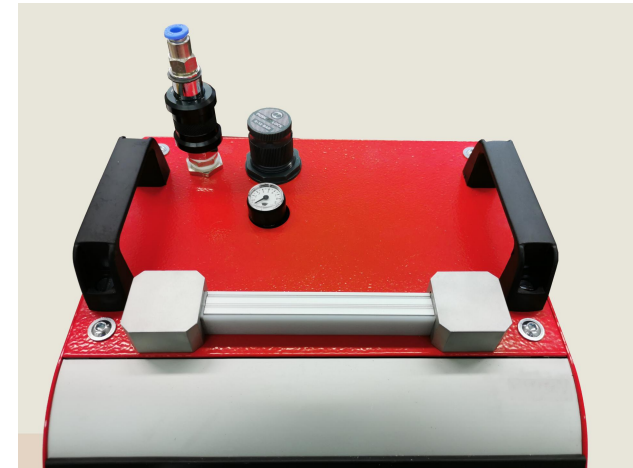
3x PA10 hose / HRU - He - Outlet



**ASM 37 PIN communication
Sniffing probe monitoring**

Top side :

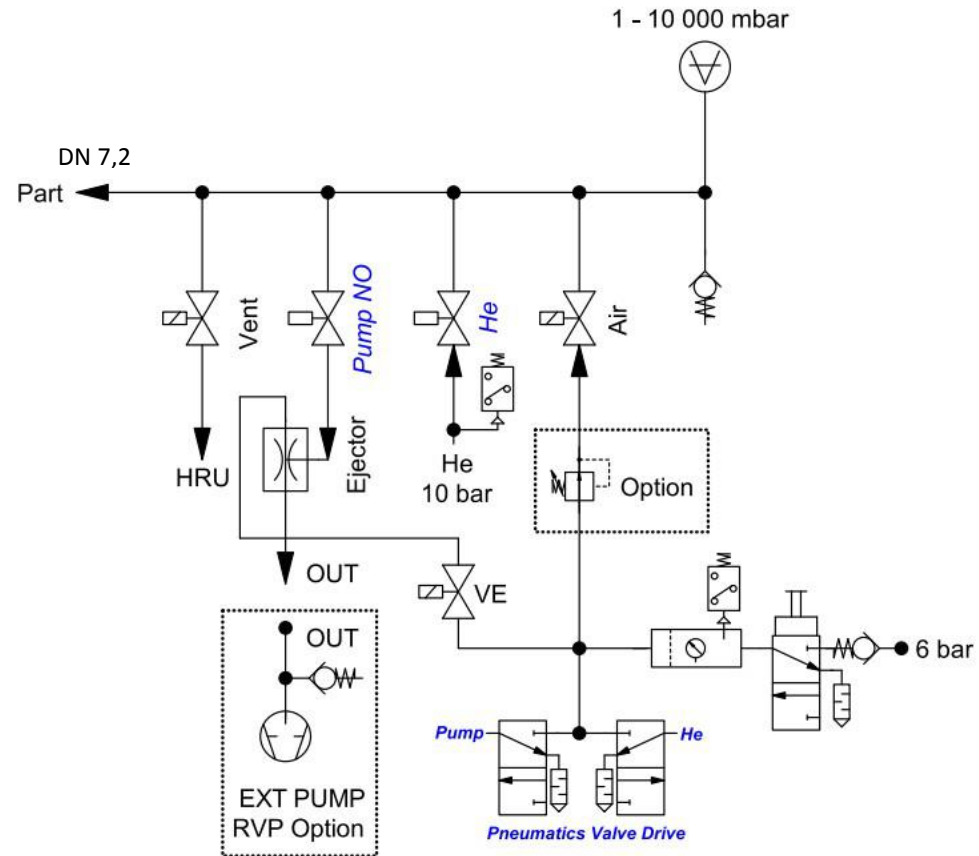
**6 mm Hose Air Pressure 6 bar
LED light signalization**



**Back side :
Power socket for external pump**

He-iT Helium charger under cover

He Charger He-iT for Sniffer ASM 306S



USER TERMINAL

START / STOP Button & 4,3" HMI Coloured Touch Panel



HMI PANEL - SW MENU

Main Screen

The Main Screen displays the following information and controls:

- Pressure (P):** 9999 mbar
- LEAK:** Indicated by a red square.
- TIMER:** -999 [sec]
- AIR:** Indicated by a grey square.
- He:** Indicated by a grey square.
- He - iT CHARGER:** Status indicator with a red stop button and a green light.
- NG:** Large red text indicating a No Good status.
- ASM STATE:** Indicated by a grey circle.
- SNF VALVE:** Indicated by a green circle.
- TEST END:** Green bar at the bottom of the main display area.
- VENT, PUMP, He, AIR:** Four blue buttons with corresponding indicators.
- PROBE:** A green square indicator.
- Navigation Buttons:** START (green), ABORT (yellow), SET UP (blue), SERVICE (blue).
- Pressure:** -999
- He - iT CHARGER:** He - iT CHARGER
- VAKUUMSERVIS:** Logo for the manufacturer.

Configuration Menu

The Configuration Menu (SET UP) allows for the following adjustments:

- Time PUMP (sec):** -9.999999
- Pressure PUMP (mbar):** -9.999999
- Time He (sec):** -9.999999
- Pressure He (mbar):** -9.999999
- Min. He Pressure (mbar):** -9.999999
- Test Time (sec):** -9.999999
- Time He Vent (sec):** -9.999999
- Time Vent (sec):** -9.999999
- Offset (mbar):** -9.999999
- Leak Delay (sec):** -9.999999

Buttons: SET UP (green), BACK (blue)

The Schematic Diagram shows the system layout with the following components and controls:

- Pressure:** 9999 mbar
- Timer:** -999 [sec]
- LEAK:** Indicated by a red square.
- NG:** Large red text.
- ASM 3068:** Status indicator with a red stop button and a green light.
- Ready:** Indicated by a green circle.
- PROBE:** Indicated by a green square.
- Navigation Buttons:** Timer, BACK (blue).
- Copyright:** © 2021 Verze 1.49, ALEK spol.s r.o. http://www.alek.cz

The PLC Outputs section displays the following status:

- Pressure:** -9999 [mBar]
- V1-Vent:** V1-Vent (Red)
- V2-Pump:** V2-Pump (Red)
- V3-He:** V3-He (Red)
- V4-Ejector:** V4-Ejector (Red)
- V5-Air:** V5-Air (Red)
- GREEN LED:** GREEN LED (Green)
- RED LED:** RED LED (Red)
- ASM Start/Stop:** ASM Start/Stop (Grey)
- PLC Inputs:** PLC Inputs (Green)
- PLC Reset:** PLC Reset (Yellow)
- BACK:** BACK (Blue)

The PLC Inputs section lists the following inputs:

- X0 = START** (Green)
- X1 = STOP** (Green)
- X2 = AIR** (Green)
- X3 = He** (Green)
- X4 = SNIFFING** (Green)
- X5 = NO ERROR / NO WARNING** (Green)
- X6 = STAND-BY** (Green)
- X7 = LEAK** (Green)
- X8 = PROBE** (Green)

Buttons: BACK (blue)

PARAMETERS :

Power Input : 230 VAC

Air Pressure / Input : 6 bar

Helium Source and Valves up to 10 bar / Part Connection = G3/8-F

(or on request)

Outlet to HRU or separate Helium Outlet

Power output for external 1F vacuum pump : 230 VAC / 2,5 A

(or 230 VAC for external 3F contactor)

ASM Monitoring : State / Leak / Warning - Error

Sniffer Probe Monitoring

Gross-Leak Test

Testing Time Adjustable Timer

Leak Delay Adjustable Filter

Contact :

Vakuum servis s.r.o.

Hasičská 2643

Rožnov pod Radhoštěm

756 61

Czech Republic

office@vakuum-servis.cz

www.vakuum-servis.cz

[He-iT Video](#)