



TPG 202 Neo, Piezo/Pirani hand-held measuring device



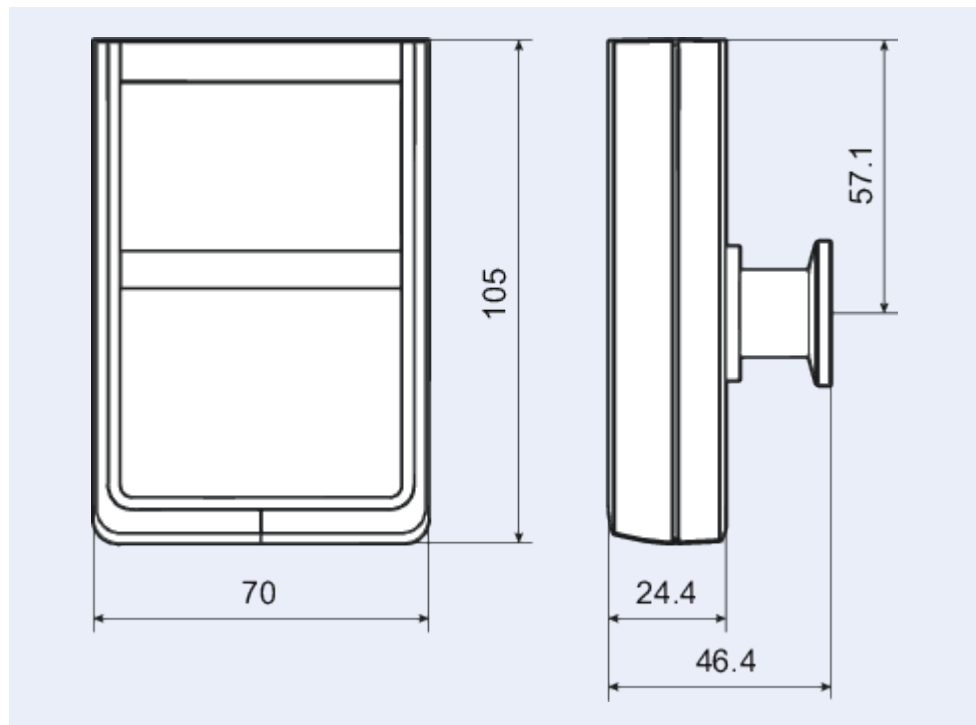
TPG 202 Neo



TPG 202 Neo, Piezo/Pirani hand-held measuring device

- Measuring range: 5 - 10⁻⁵ - 1200 hPa
- Optimized user-friendliness: thanks to the large LCD display and the easy-to-use navigation panel, which increases user-friendliness
- Direct data acquisition and storage as a TSV file :
The data is still stored directly as a TSV file, so that software is no longer required. The measured values are evaluated directly in Excel
- Data readout by PC
- Protective cover included

Dimensions



Technical Data	TPG 202 Neo, Piezo/Pirani hand-held measuring device
Measuring range	$5 \cdot 10^{-5} - 1.2 \cdot 10^3$ hPa
Materials in contact with media	Stainless steel 1.4307 (AISI 304L) Tungsten Nickel Silicon oxide Glass SnAg solder Polyamide Epoxy
Anode	130727
Ambient temperature	5 – 50 °C
Attribute	Piezo/Pirani sensor
Battery type	Integrated Li-Ion battery (3500mAh)
Display	LCD graphic display, resolution 400 x 240
Accuracy of measurement in range 1	10 % (of measured value) ($1 \cdot 10^{-3}$ hPa – $4 \cdot 10^1$ hPa)
Accuracy of measurement in range 2	0.3 % (full scale) ($4 \cdot 10^1$ hPa – $1.2 \cdot 10^3$ hPa)
Measuring method	Piezo Pirani
Pressure max.	10,000 hPa 7,500 Torr 10,000 mbar
Weight	0.25 kg 0.55 lb
Interface: Type	USB-C
Connection flange	DN 16 ISO-KF
Electrical connection	USB-C
Repeatability in range 1	0.1 % (full scale) ($4 \cdot 10^1$ hPa – $1.2 \cdot 10^3$ hPa)
Repeatability in range 2	2 % (of measured value) ($1 \cdot 10^{-3}$ hPa – 40 hPa)
Measurement range P-Relative	$-1.06 \cdot 10^3 - 3.4 \cdot 10^2$ hPa
Measuring accuracy in range P-Relative	0.25 % (full scale) ($-1.06 \cdot 10^3$ hPa – $3.4 \cdot 10^2$ hPa)

Order number	TPG 202 Neo, Piezo/Pirani hand-held measuring device
TPG 202 Neo, Piezo/Pirani hand-held measuring device	PT G28 212

Your Success. Our Passion.

We give our best for you every day –
worldwide!

Are you looking for an optimum vacuum solution?

Talk to us:
Pfeiffer Vacuum GmbH
Germany
T +49 6441 802-0

Or scan the barcode, to visit our web page:



<https://webportal.pfeiffer-vacuum.com/global/en/contact>



Errors and/or changes excepted. - 10/11/2024

Follow Us On Social Media
#pfeiffervacuum



www.pfeiffer-vacuum.com

PFEIFFER  **VACUUM**