



**DuoVane 18, 3-phase  
motor, 200–220/240/318–  
415 V, 50 Hz | 280/480 V,  
60 Hz, Bimetal**

---



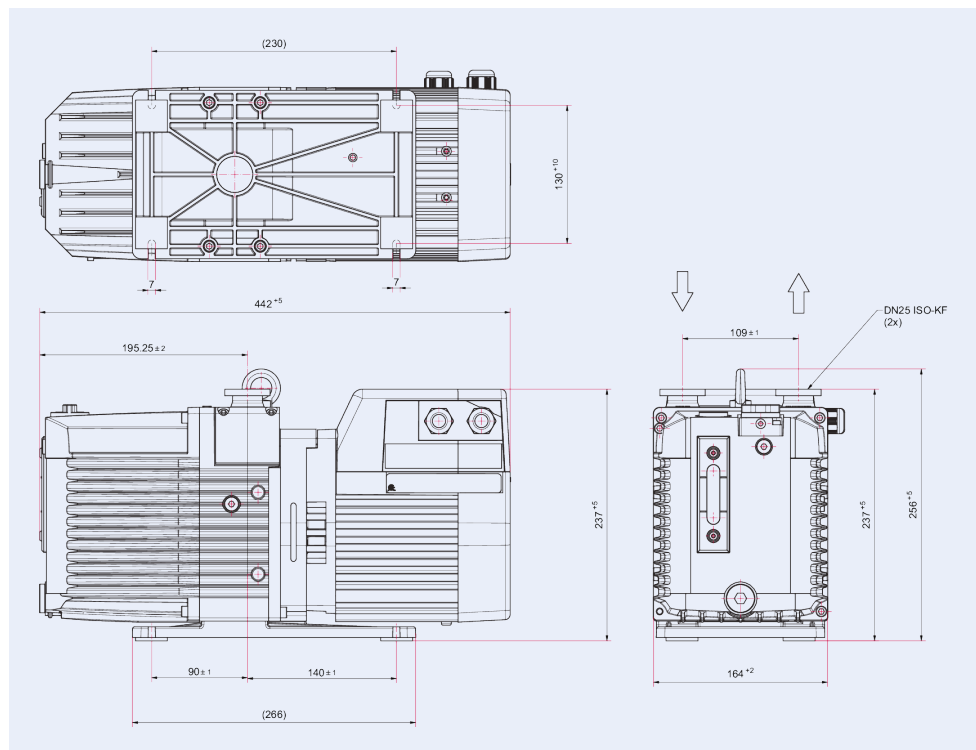
# DuoVane 18



**DuoVane 18, 3-phase motor, 200–220/240/318–415 V, 50 Hz | 280/480 V, 60 Hz, Bimetal**

- Dual-stage, high-performance rotary vane pump with a pumping speed up to 17 m<sup>3</sup>/h
- With 3-phase motor
- With temperature sensor (Bimetal) for optimum motor protection
- Integrated gas ballast and HV safety valve
- For all low and medium vacuum applications
- Special feature: Various motor voltages for worldwide employment

## Dimensions



Technical Data	DuoVane 18, 3-phase motor, 200–220/240/318–415 V, 50 Hz   280/480 V, 60 Hz, Bimetal
Gas ballast	Yes
Operating fluid	P3
Cooling method	Air (Forced convection)
Motor type	3-phase motor
Vacuum range min	$1 \cdot 10^{-2}$ hPa
Vacuum range max	$3 \cdot 10^{-3}$ hPa
Ambient temperature	12 – 40 °C
Certification	CE
Input voltage(s)	200 – 220 / 240 / 380 – 415 V AC, 50 Hz   280 / 480 V AC (±5 %), 60 Hz
Ultimate pressure with gas ballast	$1 \cdot 10^{-2}$ hPa   $7.5 \cdot 10^{-3}$ Torr   $1 \cdot 10^{-2}$ mbar
Leakage rate safety valve	$1 \cdot 10^{-5}$ Pa m <sup>3</sup> /s   $1.33 \cdot 10^{-3}$ Torr l/s   $1 \cdot 10^{-3}$ mbar l/s
Continuous gas input temperature, max.	40 °C   104 K   -233.2 °F
Exhaust pressure, max.	1,500 hPa   1,125 Torr   1,500 mbar
Operating altitude, max.	2,000 m
Continuous inlet pressure, max.	50 hPa   37.5 Torr   50 mbar
Rotation speed at 60 Hz	1,800 rpm   $1,800 \text{ min}^{-1}$
Rotation speed at 50 Hz	1,500 rpm   $1,500 \text{ min}^{-1}$
Weight	28 kg   61.73 lb
Pumping speed at 60 Hz	16.9 m <sup>3</sup> /h   9.94734 cfm   281.6723 l/min
Pumping speed at 50 Hz	14 m <sup>3</sup> /h   8.2404 cfm   233.338 l/min
Switch	No
Motor protection	Bimetal
Mains cable	No
Rated power 50 Hz	0.55 kW
Rated power 60 Hz	0.66 kW
Dimensions (L x W x H)	454 x 166 x 238 mm
Number of pumping stages	Two stage
Operating fluid amount	1.3 l
Exhaust pressure, min.	Atmospheric pressure
Connection flange (in)	DN 25 ISO-KF
Connection flange (out)	DN 25 ISO-KF

Order number	DuoVane 18, 3-phase motor, 200–220/240/318–415 V, 50 Hz   280/480 V, 60 Hz, Bimetal
DuoVane 18, 3-phase motor, 200–220/240/318–415 V, 50 Hz   280/480 V, 60 Hz, Bimetal	PK D930 020 14

## Your Success. Our Passion.

We give our best for you every day –  
worldwide!

Are you looking for an optimum vacuum solution?

Talk to us:  
Pfeiffer Vacuum GmbH  
Germany  
T +49 6441 802-0

Or scan the barcode, to visit our web page:



<https://webportal.pfeiffer-vacuum.com/global/en/contact>



Errors and/or changes excepted. - 10/30/2024

Follow Us On Social Media  
#pfeiffervacuum



[www.pfeiffer-vacuum.com](http://www.pfeiffer-vacuum.com)

**PFEIFFER**  **VACUUM**