



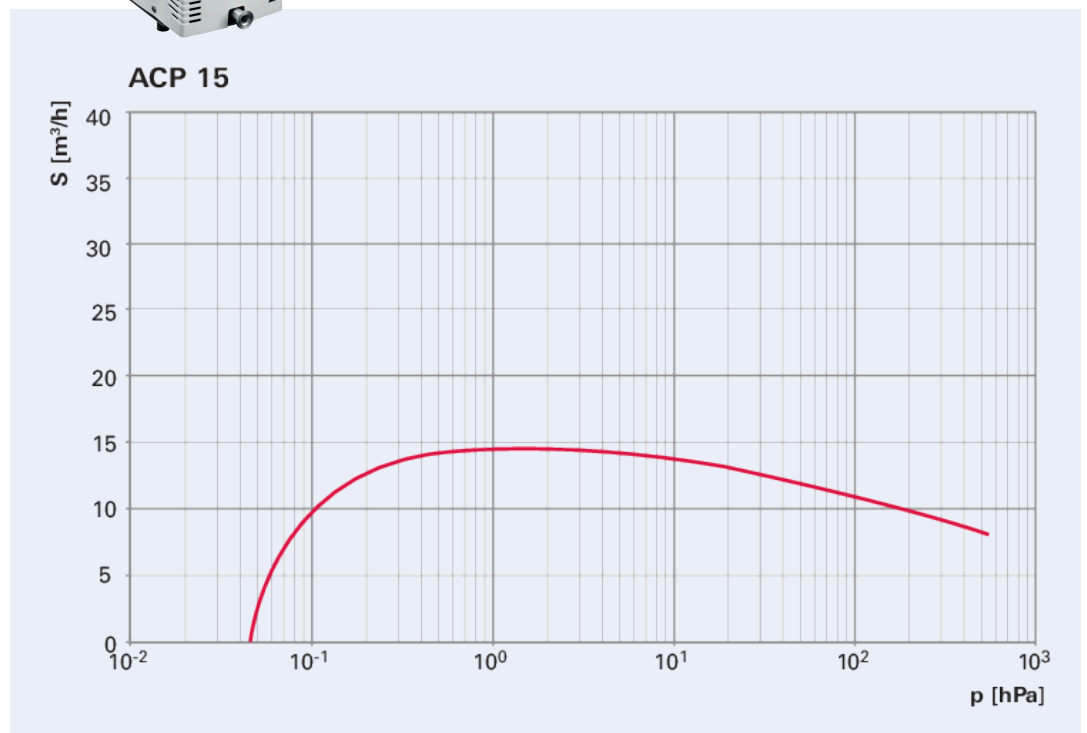
ACP 15, standard, single phase, manual gas ballast

ACP 15, standard

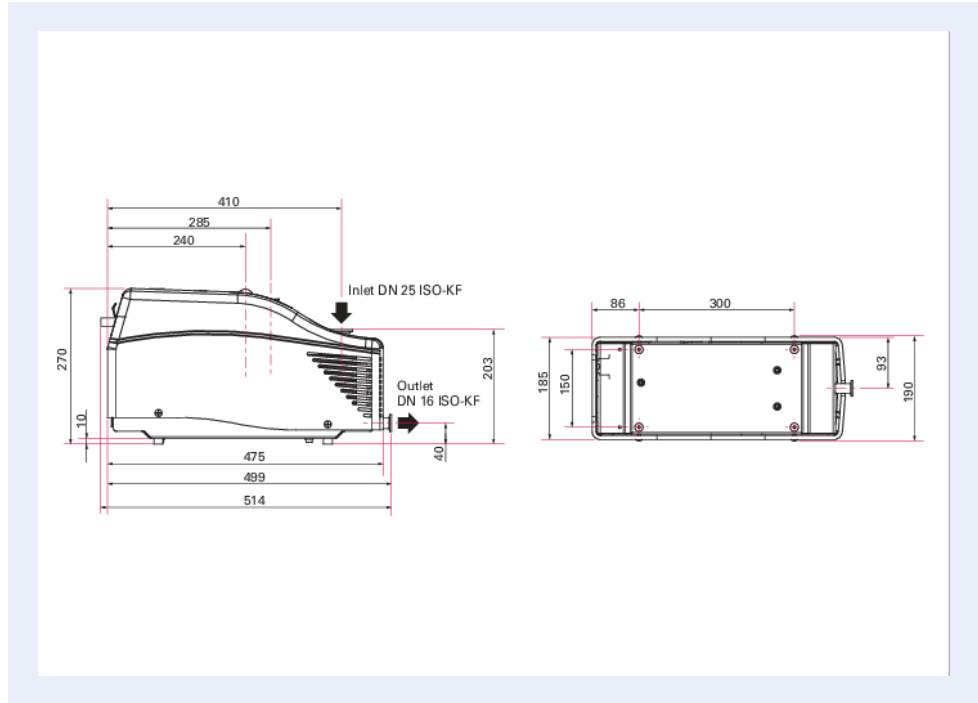


ACP 15, standard, single phase, manual gas ballast

Characteristics



Dimensions



Technical Data	ACP 15, standard, single phase, manual gas ballast
Type of electronic drive unit installation	Integrated electronic drive unit
Gas ballast	Yes
Cooling method	Air (Forced convection)
Pumping speed	14 m ³ /h
Motor type	1-phase motor
Pumping speed category	15 m ³ /h
Motor for region	Worldwide
Processes	Light duty applications
Version	Standard
Ambient temperature	12 – 40 °C
Input voltage(s)	110 – 230 V AC (±10 %), 50/60 Hz
Emission sound pressure level (EN ISO 2151)	63 dB(A)
Helium leakage rate, max.	5 · 10 ⁻⁷ hPa·l/s
Power consumption at ultimate pressure	450 W
Typical ultimate pressure with gas ballast	3 · 10 ⁻¹ hPa 2.25 · 10 ⁻¹ Torr 3 · 10 ⁻¹ mbar
Ultimate pressure with gas ballast	3 · 10 ⁻¹ hPa 2.25 · 10 ⁻¹ Torr 3 · 10 ⁻¹ mbar
Exhaust pressure, max.	1,200 hPa 900 Torr 1,200 mbar
Gas ballast flow	0.5 m ³ /h 0.294 cfm 8.334 l/min
Typical ultimate pressure without gas ballast or purge	5 · 10 ⁻² hPa 3.75 · 10 ⁻² Torr 5 · 10 ⁻² mbar
Continuous inlet pressure, max.	1,013 hPa 759.75 Torr 1,013 mbar
Weight	23 kg 50.71 lb
Ultimate pressure without gas ballast or purge, max.	5 · 10 ⁻² hPa 3.75 · 10 ⁻² Torr 5 · 10 ⁻² mbar
Mains cable	Yes, EU mains cable
Max. pumping capacity of pure water vapor at 20°C	80 g/h
Dimensions (L x W x H)	514 x 190 x 270 mm
Connection flange (in)	DN 25 ISO-KF
Connection flange (out)	DN 16 ISO-KF

Order number	ACP 15, standard, single phase, manual gas ballast
ACP 15, standard, single phase, manual gas ballast	V5SATSMGEF

Your Success. Our Passion.

We give our best for you every day –
worldwide!

Are you looking for an optimum vacuum solution?

Talk to us:
Pfeiffer Vacuum GmbH
Germany
T +49 6441 802-0

Or scan the barcode, to visit our web page:



<https://webportal.pfeiffer-vacuum.com/global/en/contact>



Errors and/or changes excepted. - 11/1/2024

Follow Us On Social Media
#pfeiffervacuum



www.pfeiffer-vacuum.com

PFEIFFER  **VACUUM**