



OmniControl 200, rack unit with integrated power supply pack



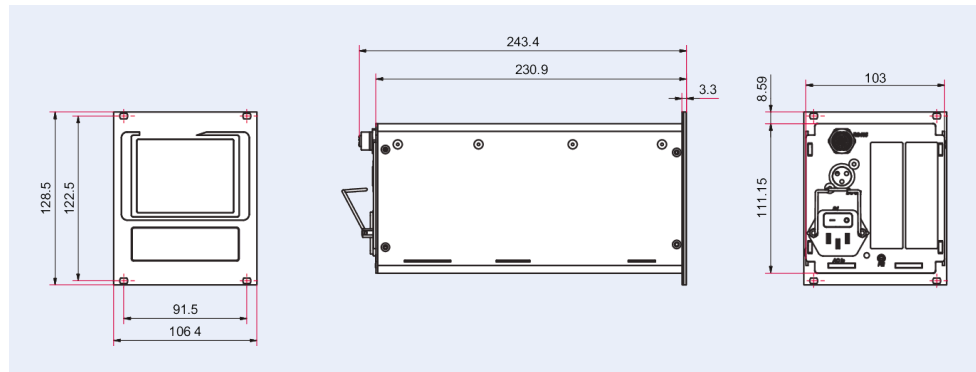
OmniControl 200



OmniControl 200, rack unit with integrated power supply pack

- Universal control unit for all products with Pfeiffer Vacuum RS-485 protocol
- Easy to operate on 3.5" touchscreen display
- Uncomplicated data acquisition and processing between Pfeiffer Vacuum units
- The respective modules define the scope of functions

Dimensions



Technical Data

Technical Data	OmniControl 200, rack unit with integrated power supply pack
Ambient temperature	0 – 50 °C
Input voltage(s)	100 – 240 V AC (±10 %), 50/60 Hz
Weight	2.1 kg 4.63 lb
Measuring channel	2 pcs.
Power consumption max.	300 W
Output voltages	DC: 24 V

Order number

Order number	OmniControl 200, rack unit with integrated power supply pack
OmniControl 200, rack unit with integrated power supply pack	PE D52 110 0

Your Success. Our Passion.

We give our best for you every day –
worldwide!

Are you looking for an optimum vacuum solution?

Talk to us:
Pfeiffer Vacuum GmbH
Germany
T +49 6441 802-0

Or scan the barcode, to visit our web page:



<https://webportal.pfeiffer-vacuum.com/global/en/contact>



Errors and/or changes excepted. - 10/31/2024

Follow Us On Social Media
#pfeiffervacuum



www.pfeiffer-vacuum.com

PFEIFFER  **VACUUM**