



HiPace® 700 with TC 400, DN 160 ISO-F



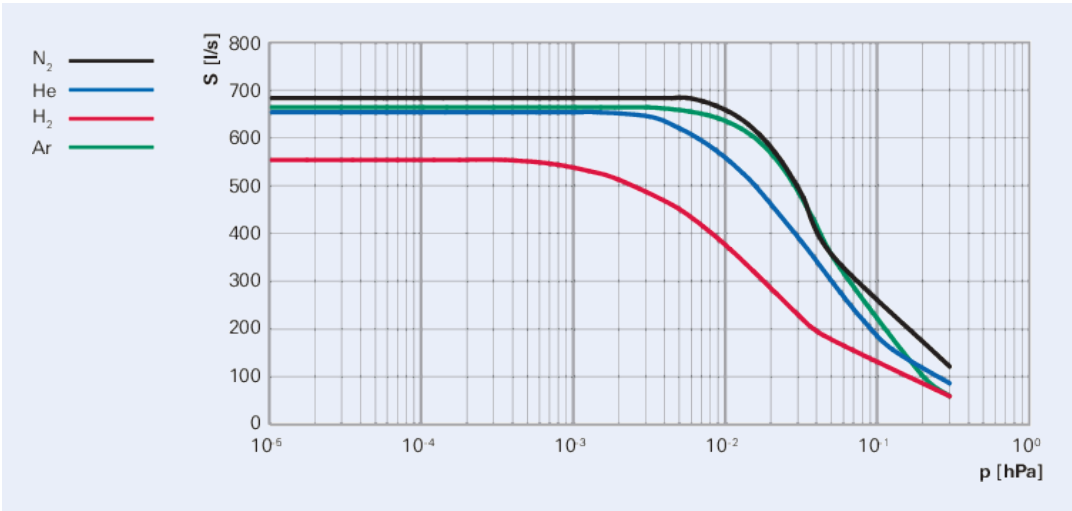
HiPace® 700



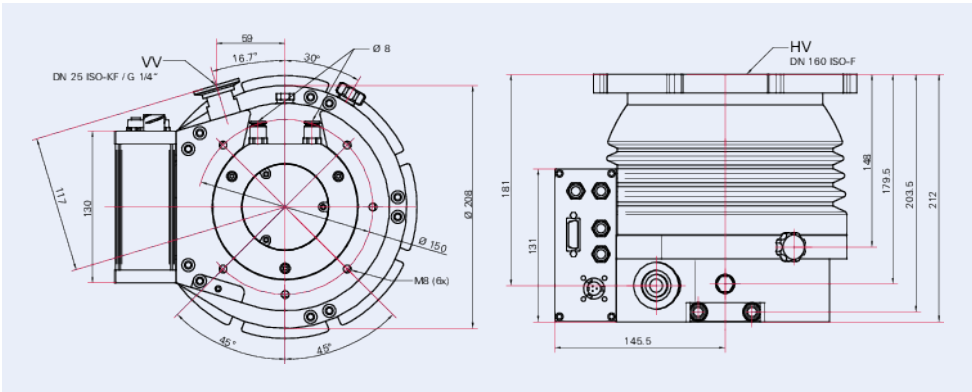
HiPace® 700 with TC 400, DN 160 ISO-F

- Compact yet powerful turbopump with a pumping speed of up to 685 l/s for N₂
- Maximum vacuum performance with minimum power consumption
- For installation in any orientation
- TC 400 integrated electronic drive unit
- Integrated, powerful cooling system

Characteristics



Dimensions



Technical Data	HiPace® 700 with TC 400, DN 160 ISO-F
Connection flange (out)	DN 25 ISO-KF G ¼"
Connection flange (in)	DN 160 ISO-F
Electronic drive unit	TC 400
Type of electronic drive unit installation	Integrated electronic drive unit
Rotation speed ± 2 %	49,200 rpm
Rotation speed variable	60 – 100 %
I/O interfaces	RS-485, Remote
Mounting orientation	Arbitrary
Final pressure without gas ballast	$1 \cdot 10^{-7}$ hPa
Gas throughput at full rotational speed for Ar	3.5 hPa·l/s
Gas throughput at full rotational speed for H ₂	>14 hPa·l/s
Gas throughput at full rotational speed for He	20 hPa·l/s
Gas throughput at full rotational speed for N ₂	6.5 hPa·l/s
Weight	12.1 kg
Run-up time	2 min
Integral leakage rate	$<1 \cdot 10^{-8}$ Pa m ³ /s
Compression ratio for Ar	$>1 \cdot 10^{11}$
Compression ratio for H ₂	$4 \cdot 10^5$
Compression ratio for He	$3 \cdot 10^7$
Compression ratio for N ₂	$>1 \cdot 10^{11}$
Cooling method	Water
Bearing	Hybrid
Power consumption max.	420 W
Position of power supply pack	External power supply pack
Pumping speed for Ar	665 l/s
Pumping speed for H ₂	555 l/s
Pumping speed for He	655 l/s
Pumping speed for N ₂	685 l/s
Sound pressure level	≤50 dB(A)
Protection degree	IP54 Type 12
Current max.	8,4 A
Fore-vacuum max. for N ₂	11 hPa
Permissible radial magnetic field max.	6 mT
Emission sound pressure level (EN ISO 2151) level 1	≤50 dB(A)

Order number	HiPace® 700 with TC 400, DN 160 ISO-F
HiPace® 700 with TC 400, DN 160 ISO-F	PM P03 935

Accessories	HiPace® 700 with TC 400, DN 160 ISO-F
Operating fluid reservoir for HiPace 400/700	PM 143 452 AT
Spare parts package 1, bearing for HiPace 400/700	PM E11 052 -T

Your Success. Our Passion.

We give our best for you every day –
worldwide!

Are you looking for an optimum vacuum solution?

Talk to us:
Pfeiffer Vacuum GmbH
Germany
T +49 6441 802-0

Or scan the barcode, to visit our web page:



<https://webportal.pfeiffer-vacuum.com/global/en/contact>



Errors and/or changes excepted. - 11/1/2024

Follow Us On Social Media
#pfeiffervacuum



www.pfeiffer-vacuum.com

PFEIFFER  **VACUUM**