



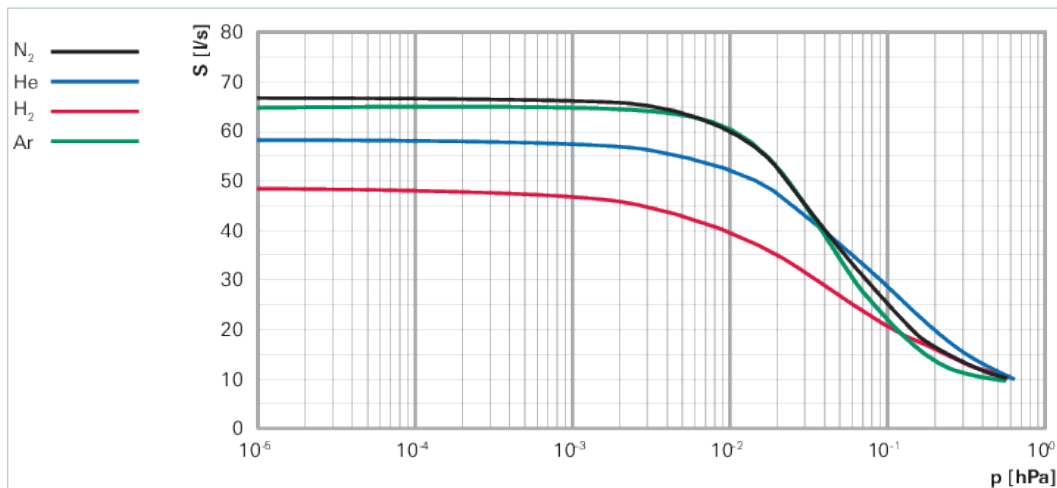
HiPace[®] 80 with TC 110, DN 63 CF-F



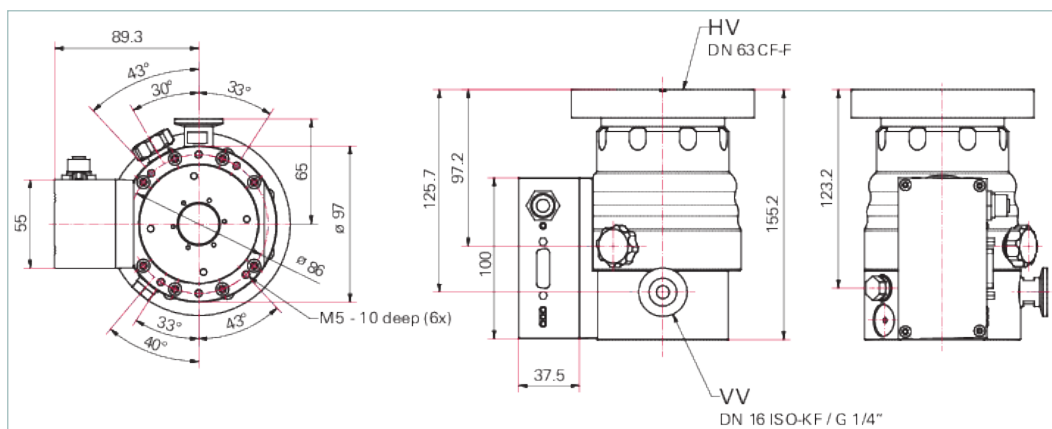
Similar Image

HiPace® 80 with TC 110, DN 63 CF-F

- Small yet powerful turbopump with a pumping speed of up to 67 l/s for N₂
- Integrated TC 110 drive electronics
- For installation in any orientation
- Ideal for dependable systems integration
- Extensive accessories expand the range of applications



Dimensions



Technical Data

HiPace® 80 with TC 110, DN 63 CF-F

Bearing	Hybrid
Compression ratio for Ar	$> 1 \cdot 10^{11}$
Compression ratio for H ₂	$1.4 \cdot 10^6$
Compression ratio for He	$1.3 \cdot 10^8$
Compression ratio for N ₂	$> 1 \cdot 10^{11}$
Cooling method, optional	Air/Water
Cooling method, standard	Convection
Cooling water consumption	75 l/h
Cooling water temperature	5-25 °C
Electronic drive unit	with TC 110
Flange (in)	DN 63 CF-F
Flange (out)	DN 16 ISO-KF / G 1/4"
Fore-vacuum max. for N ₂	22 hPa 16.5 Torr 22 mbar
Gas throughput at full rotational speed for Ar	0.54 hPa l/s 0.41 Torr l/s 0.54 mbar l/s

Technical Data	HiPace® 80 with TC 110, DN 63 CF-F
Gas throughput at full rotational speed for H ₂	15.3 hPa l/s 11.47 Torr l/s 15.3 mbar l/s
Gas throughput at full rotational speed for He	2.7 hPa l/s 2.02 Torr l/s 2.7 mbar l/s
Gas throughput at full rotational speed for N ₂	1.3 hPa l/s 0.97 Torr l/s 1.3 mbar l/s
Interfaces	RS-485, Remote
Mounting orientation	in any orientation
Operating voltage	24 (± 5 %) V DC
Permissible magnetic field max.	3.3 mT
Protection category	IP54
Pumping speed for Ar	66 l/s
Pumping speed for H ₂	48 l/s
Pumping speed for He	58 l/s
Pumping speed for N ₂	67 l/s
Pumping speed range	80 l/s
Rotation speed ± 2 %	90,000 rpm 90,000 min ⁻¹
Rotation speed variable	50 - 100 %
Run-up time	1.7 min
Ultimate pressure according to PNEUROP	< 5 · 10 ⁻¹⁰ hPa < 3.75 · 10 ⁻¹⁰ Torr < 5 · 10 ⁻¹⁰ mbar
Venting connection	G 1/8"
Weight	3.8 kg 8.38 lb

Order number	
HiPace® 80	PM P03 941

Accessories	
Accessories Diaphragm pumps	
Connection cable TPS 180 - MVP 006-4 with HiPace 80/HiPace 10, 2 x 0.5 m	PM 061 399 -T
Mains cable 115 V AC, NEMA 5-15 to C13, 3 m	P 4564 309 ZE
Mains cable 230 V AC, CEE 7/7 to C13, 3 m	P 4564 309 ZA
TPS 110, mains pack for wall/standard rail fitting	PM 061 340 -T
TPS 180, mains pack for wall/standard rail fitting	PM 061 341 -T
Accessory for DCU/HPU	
Accessories package for HPU 001/PC	PM 061 005 -T
RJ 45 interface cable on M12 for HiPace	PM 051 726 -T
Adapter and control cables	
HiPace - ACP connection cable	PM 071 142 -X
Adapters/connections TC 110	
Enclosure for plug, spraywater-protected, 15-pole, D-sub	P 0998 016
Mains power plug angled for TC 110/120 and mating plug for interface E74	P 4723 111
Mains power plug for TC 110/120 and mating plug for E74 interface, straight	P 4723 110
TCS 11, adapter for TC 110/120 with RS-485 interface	PM 061 636 -U
TCS 12, adapter for TC 110/120 with interface RS-485, 4 accessory ports and coupling set	PM 061 638 -U
TCS 13, adapter for TC 110/120 with interface RS-485, 2 accessory ports and coupling set	PM 061 856 -U
Air coolings (unshielded)	
Air cooling for HiPace 60 P, HiPace 80 and SplitFlow 50/80 with TC 110/120	PM Z01 300
Air coolings 115/230 V	
Air cooling for HiPace 60/80, SplitFlow 50/80, 230 V	PM Z01 343
Air cooling for HiPace 60 P and 80, SplitFlow 50/80, 115 V	PM Z01 344
Connection cables	
Connection cable for HiPace with TC 110/120	PM 061 543 -T
Connection cable incl. 2 accessory ports for TC 110/120 to power supply	PM 061 552 -T
Connection cable with RS-485 interface and 2 accessory ports for TC110/120 to power supply	PM 061 351 -T
Connection cable with RS-485 interface and 3 accessory ports for TC 110/120 to power supply	PM 061 512 -T
Connection cable with RS-485 interface for TC 110/120 to power supply	PM 061 350 -T
Control and display units	
DCU 002, Display Control Unit	PM 061 348 -T
HPU 001, Handheld Programming Unit	PM 051 510 -T
DCU with integrated power supply	
DCU 110, Display control unit incl. power supply	PM C01 820
DCU 180, Display control unit incl. power supply	PM C01 821
Extension cables	
Extension cable M8 on M8	PM 061 783 -T
Fore-vacuum safety valves	
TVV 001 fore-vacuum safety valve, 115 V AC	PM Z01 206
TVV 001 fore-vacuum safety valve, 230 V AC	PM Z01 205
Front panel kit as spare part	
Front panel kit for TPS 111	PM 061 393 -T
Front panel kit for TPS 181	PM 061 394 -T

Accessories	
Heating suitable for TC 110 and TC 400	
Heating jacket for HiPace 80 with TC 110, 115 V AC, UL plug	PM 061 362 -T
Heating jacket for HiPace 80 with TC 110, 208 V AC, UL plug	PM 061 361 -T
Heating sleeve for HiPace 80 with TC 110, 230 V AC, safety plug	PM 061 360 -T
Interface cables	
Interface cable, M12 m straight/ M12 m angled 0.7 m	PM 061 791 -T
Interface cable, M12 m straight/M12 m straight, 3 m	PM 061 283 -T
Mains cables	
Mains cable 208 V AC, NEMA 6-15 to C13, 3 m	P 4564 309 ZF
Mains pack 19" rack module 3HU with front panel	
TPS 111, mains pack 19" rack module 3HU	PM 061 344 -T
TPS 181, mains pack 19" rack module 3HU	PM 061 345 -T
Power failure venting units (normally open)	
Shielded power failure venting unit, 24 V DC, G 1/8", for connection to TC 110/120	PM Z01 330
Pressure Sensors	
IKT 010, Digital Cold Cathode Sensor, low current	PT R72 100
IKT 011, Digital Cold Cathode Sensor, high current	PT R73 100
RPT 010, Digital Piezo/Pirani Sensor	PT R71 100
TIC 010, Adapter for two sensors	PT R70 000
Protection screen for Pfeiffer Vacuum turbo pumps	
Protection screen for DN 63 CF-F	PM 016 333
Relay boxes suitable for TC 110, TC 400 and TCP 350	
Relay box for backing pump, single phase 20 A for TC 110/120 and TCP 350, M8 plug	PM 061 373 -T
RS-485 accessories	
Connector M12 to RS-485	PM 061 270 -X
Power separator for RS-485	PT 348 132 -T
Termination resistor for RS-485	PT 348 105 -T
USB converter to RS-485 interface	PM 061 207 -T
Y-Connector M12 to RS-485	P 4723 010
Sealing gas throttle	
Sealing gas throttle for HiPace 30/60/80	PM Z01 316
Sealing gas valve, shielded (normally closed)	
Sealing gas valve, shielded for HiPace 30/60/80 with TC 110	PM Z01 310
Set of hexagon screws for trough hole	
Set of hexagon screws for trough hole, DN 63 CF-F	PM 016 683 -T
Set of stud screws for tapped hole	
Set of stud screws for tapped hole, 8 count M8, DN 63 CF-F	PM 016 684 -T
Set of stud screws for trough hole	
Set of stud screws for trough hole, DN 63 CF-F	PM 016 733 -T
Shielded relay boxes suitable for TC 110/TC 400 with PB, TC 1200 and TM 700	
Relay box, shielded, for backing pumps, 1-phase 7A for TC 110/120 and TCP 350, plug M8	PM 071 282 -X

Accessories	
Splinter shield for Pfeiffer Vacuum turbo pumps	
Splinter shield for turbopumps, DN 63 CF-F	PM 016 312
Venting accessory with small flange, G 1/8", hoses, air drier	
Banjo fitting	PM 016 787 -T
Banjo fitting, small	PM 143 877 -T
Hose nozzle for 9 mm hose, G 1/8"	PM 016 783 -T
Push-in fitting for 6 mm hose, G 1/8"	PM 016 781 -T
Push-in fitting for 8 mm hose, G 1/8"	PM 016 782 -T
Screw-in flange, DN 10 ISO-KF, G 1/8"	PM 033 737 -T
Screw-on flange, DN 16 ISO-KF, G 1/8"	PM 016 780 -T
TTV 001, dryer for venting turbopumps	PM Z00 121
Venting valve (normally closed)	
Venting valve, 24 V DC, G 1/8" without cable	PM Z01 293
Venting valve, shielded, 24 V DC, G 1/8", for connection to TC 110/120	PM Z01 290
Vibration damper	
Vibration damper for HiPace 60/80, DN 63 CF-F	PM 006 801 -X
Wall rail fitting	
Wall rail fitting for TPS 110/180/310/400	PM 061 392 -T
Water cooling	
Water cooling for HiPace 60 P, HiPace 80 and for SplitFlow 50/80 with push-in fitting, 8 mm	PM 016 623 -T

VACUUM SOLUTIONS FROM A SINGLE SOURCE

Pfeiffer Vacuum stands for innovative and custom vacuum solutions worldwide, technological perfection, competent advice and reliable service.

COMPLETE RANGE OF PRODUCTS

From a single component to complex systems:

We are the only supplier of vacuum technology that provides a complete product portfolio.

COMPETENCE IN THEORY AND PRACTICE

Benefit from our know-how and our portfolio of training opportunities!

We support you with your plant layout and provide first-class on-site service worldwide.

Are you looking for a
perfect vacuum solution?
Please contact us:

Pfeiffer Vacuum GmbH
Headquarters · Germany
T +49 6441 802-0
info@pfeiffer-vacuum.de

www.pfeiffer-vacuum.com

All data subject to change without prior notice.

PFEIFFER  **VACUUM**